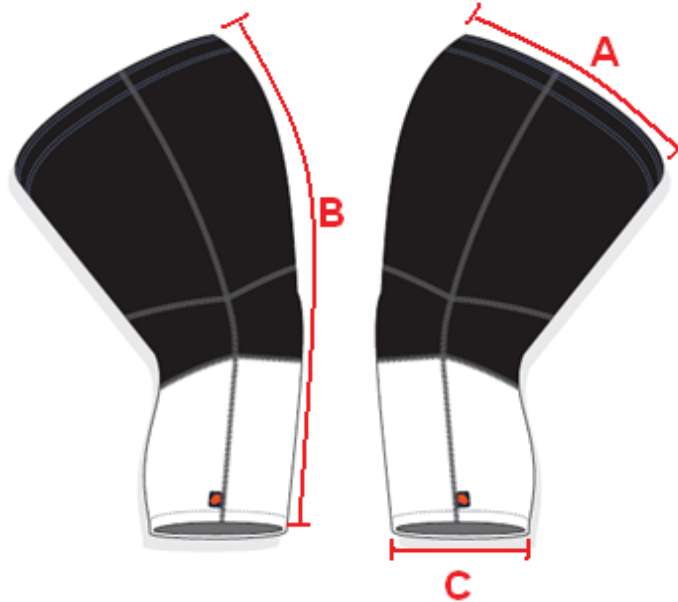


If you're unsure which size to buy, try measuring a knee warmer that you already own that fits you well, and compare those measurements to the size chart. Lay the knee warmer on a flat surface and use the above guide to measure the knee warmer.

**Note: All measurements are approximate.**

Size	A	B	C
XXS	6 7/8"	17 1/2"	4 1/4"
XS	7 1/4"	18 1/4"	4 1/2"
S	7 5/8"	19"	4 3/4"
M	8"	19 3/4"	5"
L	8 3/8"	20 1/2"	5 1/4"
XL	8 3/4"	21 1/4"	5 1/2"
2XL	9 1/8"	22"	5 3/4"
3XL	9 1/2"	22 3/4"	6"
4XL	9 7/8"	23 1/2"	6 1/4"



If you're unsure which size to buy, try measuring a knee warmer that you already own that fits you well, and compare those measurements to the size chart. Lay the knee warmer on a flat surface and use the above guide to measure the knee warmer.

**Note: All measurements are approximate.**

Size	A	B	C
JR-XS/TP 7-8	6 1/4"	15 1/2"	3 1/2"
JR-S/P 9-10	6 5/8"	16 1/4"	3 3/4"
JR-M 11-12	7"	17"	4"
JR-L/G 13-14	7 3/8"	17 3/4"	4 1/4"
JR-XL/TG 15-16	7 3/4"	18 1/2"	4 1/2"